



SYNGHONG HOE

SYNGHONG

CONTENT

VISION / MISSION / CORE VALUES	2
CERTIFICATES	3
INTRODUCTION	4
SCHE PRODUCTS:	
MECHANICAL COUPLING	5-9
TIE MECHANICAL COUPLING	10
FLANGE ADAPTOR	11-19
TIE FLANGE ADAPTOR	20-22
DISMANTLING JOINT	23-30
COLLAR JOINT	31-32
RING FLANGE	33-34
BLANK FLANGE	35-36
GUSSETED BEND	37
EQUAL TEE	38

VISION

CREATE GROWTH TO OUR COMMUNITY THROUGH STEEL



CORE VALUES



POSITIVE ATTITUDE



CONTINUOUS IMPROVEMENT



COMPANY GROWTH



GLOBAL MINDSET



TEAM SPIRIT



CUSTOMER FOCUS

To design, manufacture top quality products that:

CUSTOMERS select as business partners;

CONSULTANTS prefer for their clients;

EMPLOYEES are proud of;

while delivering sustainable growths and values to our organisation and employees.

MISSION



**ISO 9001 2015 UKAS
ISO 9001 2015 DSM
JKKP / DOSH UNFIREED PRESSURE VESSEL**



**SPAN - STEEL PIPE SPECIAL (SAW)
MECHANICAL COUPLING
FLANGE ADAPTOR**



**IKRAM - STEEL PIPES SPECIAL (SAW)
MECHANICAL COUPLING
FLANGE ADAPTOR**

SYNCHONG HOE

Synchong Hoe Engineering Sdn. Bhd. (SCHE) has evolved from a **water pipe & pipe specials** and **mechanical coupling & flange adaptor** provider of water infrastructure industry, to a well diversified company engaged in pressure vessel which certified by **JKKP (DOSH)** as well as **ASME** and National Board of boiler and **pressure vessel** Inspectors of the United States of America.

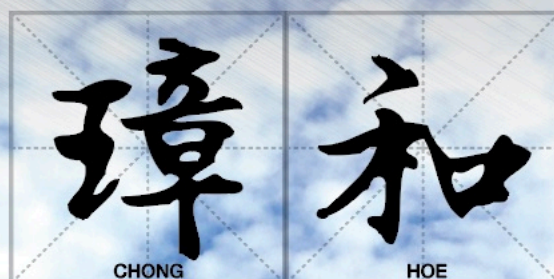
Our highly experienced and specialized workforce coupled with, SCHE strategically located yards in Penang, Malaysia enable us to undertake a range of multi-disciplined projects.

With a current strength of 100 full-time employees including in-house design and engineering team, SCHE is one of the leading premier supply vendors for mechanical coupling & flange adaptors.

SCHE's market encompasses Malaysia, Singapore, Indonesia, Thailand, Vietnam, Brunei, Philippines, Sri Lanka, USA, Middle East, Nigeria and Australia.

Fuelled by a strong commitment to excel and backed by a network that includes some of the world's leading multi-national corporations and major equipment principals, SCHE is poised to scale greater heights.

YOUR CHALLENGE TAKES US FORWARD



SYNCHONG HOE ENGINEERING SDN. BHD.

璋和機械工程有限公司



F5

6

CENTRE SLEEVE

Standard and long sleeve lengths available to accommodate site conditions.

GASKET

Ethylene Propylene (EPDM) as standard and it is water quality approved material.

BOLT & NUT

Hot Dip Galvanized to BS EN ISO 1461. Stainless Steel 304/ 316 are also available on request.

END FLANGE

Consist 2 end flanges fabricated rolled steel to BS EN 10025 (S275JR). Other material also available on request.

Excellent Corrosion Protection

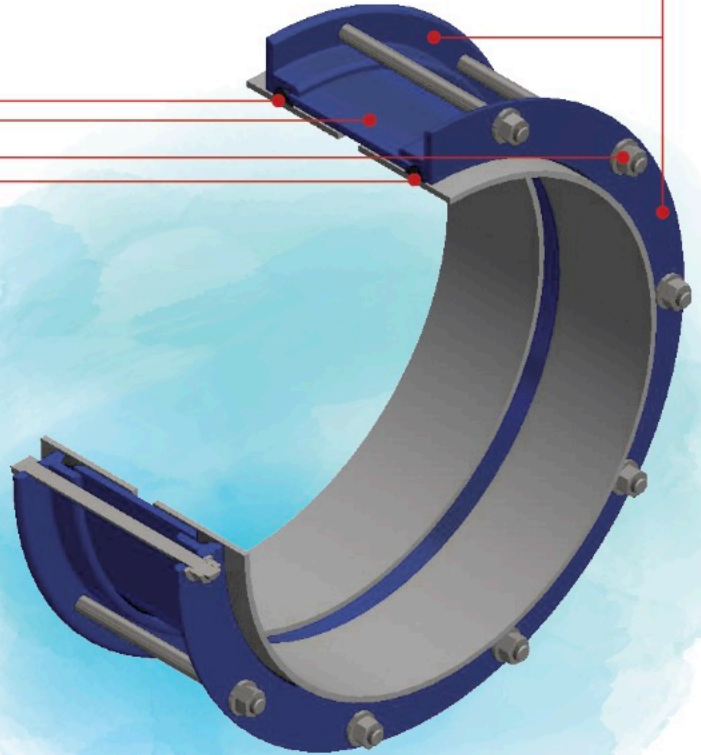
Coated by Fusion Bonded Epoxy (FBE) which provide incredibly durability and extend the life span of the fittings became more protective and highly resistant the corrosion and weather damage.

Ultimate Sealing Capability

Fully sealing capabilities with high quality of EPDM gasket to ensure that failure compressed cannot occur when workings system is running.

Simple To Fit

Simple installation procedure that could be installed in any weather and trench condition.



MECHANICAL COUPLING

SCHE Mechanical Coupling accommodate angular deflection between the pipes can offer up to 3-6 degrees and allow for easy installation and better pipeline movement such as ground settlement.

Range of Nominal Size (DN): DN80 - DN3200

Standard Specification:

BS EN 1092-1 / BS 512
BS EN 10224 / BS EN 10311
BS EN 10220
BS EN 1452-1 TO BS EN 1452-5

Approvals / Certificates:

IKRAM
SPAN
ISO 9001

MECHANICAL COUPLING

SCHE fabricated mechanical coupling, for ductile iron and mild steel pipes, and suitable for drinking water and neutral liquids (sewage). Mechanical Coupling are used for joining pipes of the same material or pipes of different materials but having the same outside diameter.

STANDARDS:

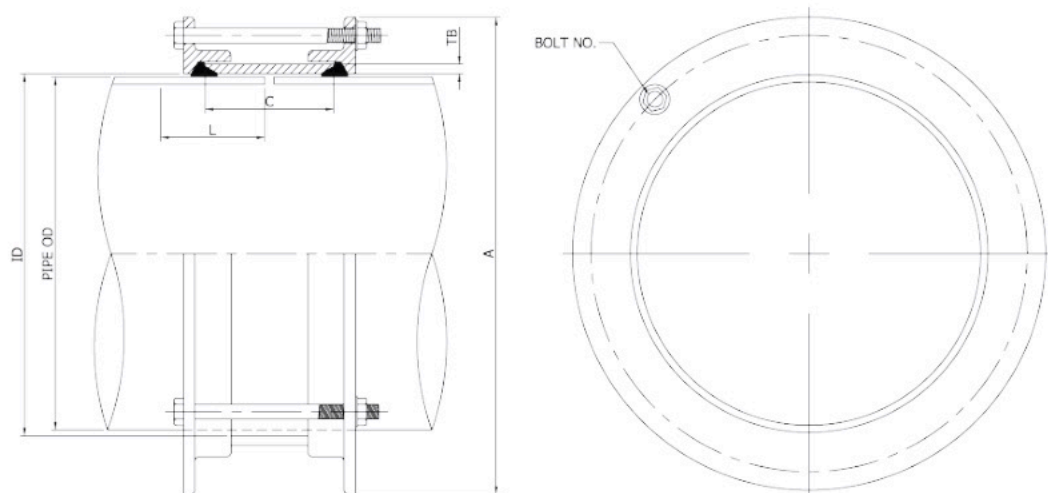
- BS EN 10217-1:2002+A1:2005, BS EN 10224:2002 (+BS EN 10311:2005), BS EN 1092-1:2013, SPAN specifications.

FEATURES:

- Mechanical Coupling can absorb up to 10mm expansion and contraction, which allows for movement on bridge crossings, in chambers and pump stations. Often eliminates the need for special expansion joints.
- Mechanical Coupling can offer up to 6° of angular deflection; allow for the connection of misaligned pipes, take up ground settlement at structures, lay pipes to large radius bends, etc.
- Suitable for a wide range of pipework applications, above and below ground level.
- Flange and body / centre sleeve / end rings:
 - Fabricated rolled steel grade S275JR BS EN 10025-1:2004.
 - Other grade or materials are also available upon request.
- Bolt, nuts and washers:
 - Hot dip galvanised to BS EN ISO 1461:2009
 - Stainless Steel Grade 304 and 316
- Gasket / Sealing Ring:
 - Ethylene Propylene (EPDM) to MS672(1999) or BS EN 681-1:1996
- Standard Corrosion Protection:
 - FBE - Fusion Bonded Epoxy Powder Coating Internally and Externally at 250µ min. (up to DN1600)
 - Cold Applied Epoxy Coating sizes greater than DN1600.

NOTE:

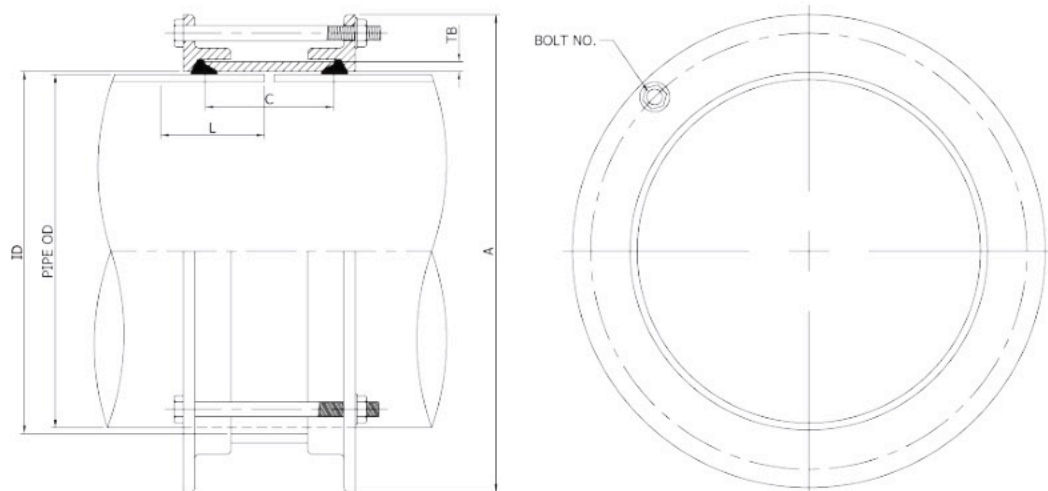
SCHE Mechanical Coupling is not designed for end load resistant applications, SCHE Mechanical Coupling do not resist longitudinal thrust loadings and pipe pull-out will occur unless the load are retained by other means, eg. Tie Lug c/w Tie Bolt.



Dimensions (MILD STEEL PIPE TO BS EN 10224):

PIPE ND mm	PIPE OD mm	ID mm	L mm	A mm	C mm	TB mm	BOLT NO.	BOLT DIA. mm	BOLT L mm
80	88.9	93.9	100	191	100	6.0	4	12	165
100	114.3	119.3	100	216	100	6.0	4	12	165
150	168.3	173.3	100	270	100	7.2	4	12	165
200	219.1	224.1	100	321	100	7.2	6	12	165
250	273.0	278.0	100	375	100	7.2	6	12	165
300	323.9	328.9	100	429	100	7.2	6	12	165
350	355.6	360.6	150	468	150	8.0	8	16	230
400	406.4	411.4	150	518	150	8.0	8	16	230
450	457.0	462.0	150	569	150	8.0	10	16	230
500	508.0	513.0	150	620	150	8.0	10	16	230
550	559.0	564.0	150	671	150	8.0	10	16	230
600	610.0	615.0	150	722	150	8.0	10	16	230
650	660.0	665.0	150	772	150	8.0	12	16	230
700	711.0	716.0	150	823	150	8.0	12	16	230
750	762.0	767.0	150	874	150	8.0	12	16	230
800	813.0	818.0	150	925	150	8.0	12	16	230
900	914.0	919.0	150	1026	178	8.8	14	16	265
1000	1016.0	1021.0	150	1128	178	8.8	14	16	265
1100	1118.0	1124.0	150	1244	178	11.8	16	16	280
1200	1219.0	1225.0	150	1345	178	11.8	16	16	280
1400	1420.0	1426.0	150	1546	178	11.8	20	16	280
1600	1620.0	1626.0	150	1746	178	11.8	24	16	280
1800	1820.0	1826.0	150	1946	178	11.8	28	16	280
2000	2020.0	2026.0	200	2155	254	15.0	36	16	355
2200	2220.0	2226.0	200	2355	254	15.0	40	16	355
2400	2420.0	2426.0	200	2580	254	22.0	40	20	405

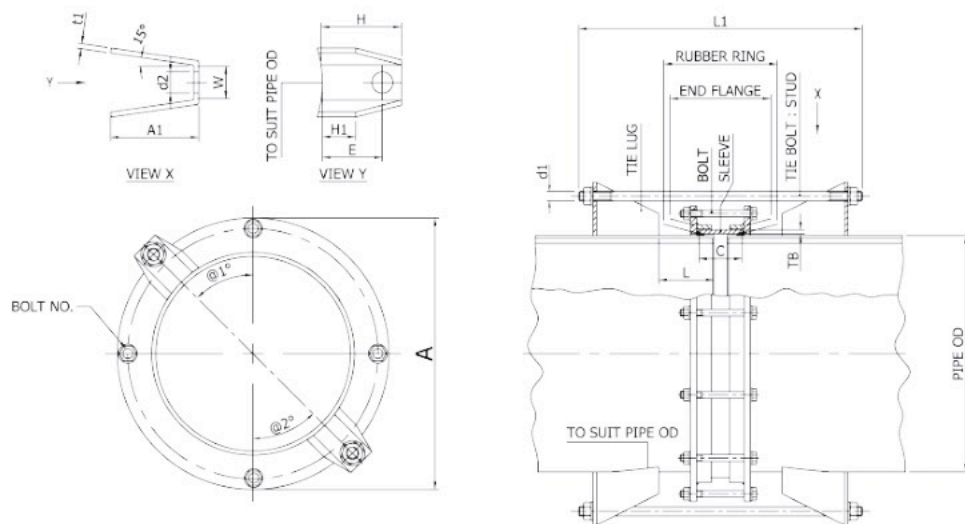
**** Other sizes are also available upon request.**



Dimensions (DUCTILE IRON PIPE TO BS EN 545):

PIPE ND mm	PIPE OD mm	ID mm	L mm	A mm	C mm	TB mm	BOLT NO.	BOLT DIA. mm	BOLT L mm
mm	mm	mm	mm	mm	mm	mm		mm	mm
80	98	103	100	200	100	6.0	4	12	165
100	118	123	100	220	100	6.0	4	12	165
150	170	175	100	272	100	7.2	4	12	165
200	222	227	100	324	100	7.2	6	12	165
250	274	279	100	376	100	7.2	6	12	165
300	326	331	100	431	100	7.2	6	12	165
350	378	383	150	490	150	8.0	8	16	230
400	429	434	150	541	150	8.0	8	16	230
450	480	485	150	592	150	8.0	10	16	230
500	532	537	150	644	150	8.0	10	16	230
600	635	640	150	747	150	8.0	10	16	230
700	738	743	150	850	150	8.0	12	16	230
800	842	847	150	954	150	8.0	12	16	230
900	945	950	150	1057	178	8.8	14	16	265
1000	1048	1053	150	1160	178	8.8	14	16	265
1100	1152	1158	150	1278	178	11.8	16	16	280
1200	1255	1261	150	1381	178	11.8	18	16	280
1400	1462	1468	150	1588	178	11.8	20	16	280
1600	1668	1674	150	1794	178	11.8	24	16	280

**** Other sizes are also available upon request.**



Dimensions (MILD STEEL PIPE TO BS EN 10224):

PIPE ND mm	PIPE OD mm	ID mm	L mm	A mm	C mm	TB mm	BOLT NO.	BOLT DIA. mm	BOLT L mm	TIE LUG / TIE BOLT set
80	88.9	93.9	100	191	100	6.0	4	12	165	2
100	114.3	119.3	100	216	100	6.0	4	12	165	2
150	168.3	173.3	100	270	100	7.2	4	12	165	4
200	219.1	224.1	100	321	100	7.2	6	12	165	4
250	273.0	278.0	100	375	100	7.2	6	12	165	4
300	323.9	328.9	100	429	100	7.2	6	12	165	4
350	355.6	360.6	150	468	150	8.0	8	16	230	4
400	406.4	411.4	150	518	150	8.0	8	16	230	4
450	457.0	462.0	150	569	150	8.0	10	16	230	4
500	508.0	513.0	150	620	150	8.0	10	16	230	4
550	559.0	564.0	150	671	150	8.0	10	16	230	4
600	610.0	615.0	150	722	150	8.0	10	16	230	4
650	660.0	665.0	150	772	150	8.0	12	16	230	4
700	711.0	716.0	150	823	150	8.0	12	16	230	6
750	762.0	767.0	150	874	150	8.0	12	16	230	6
800	813.0	818.0	150	925	150	8.0	12	16	230	6
900	914.0	919.0	150	1026	178	8.8	14	16	265	6
1000	1016.0	1021.0	150	1128	178	8.8	14	16	265	6
1100	1118.0	1124.0	150	1244	178	11.8	16	16	280	6
1200	1219.0	1225.0	150	1345	178	11.8	16	16	280	8
1400	1420.0	1426.0	150	1546	178	11.8	20	16	280	8
1600	1620.0	1626.0	150	1746	178	11.8	24	16	280	10
1800	1820.0	1826.0	150	1946	178	11.8	28	16	280	12
2000	2020.0	2026.0	200	2155	254	15.0	36	16	355	12
2200	2220.0	2226.0	200	2355	254	15.0	40	16	355	12
2400	2420.0	2426.0	200	2580	254	22.0	40	20	405	15

**** Other sizes are also available upon request.**



FLANGE ADAPTOR

SCHE Flange Adaptor absorb up to 5mm expansion, which allows for movement on bridge crossings, in chambers and pump stations. Flange Adaptor offer up to 3 degree of angular deflection to allow for the connection of miss aligned pipe to flange equipment and movement/ settlement in service.

ADAPTOR

Flange drilling to any standard to accommodate site requirements. Standard and long sleeve lengths available to accomodate site condirions.

GASKET

Ethylene Propylene (EPDM) as standard and it is water quality approved material.

BOLT & NUT

Hot Dip Galvanized to BS EN ISO 1461. Stainless Steel 304/ 316 are also available on request.

Flash Butt Welding

Flash butt welding used for end ring and centre sleeve ensuring a full penetration weld with totally homogeneous material and no impurities.

Sleeve Length

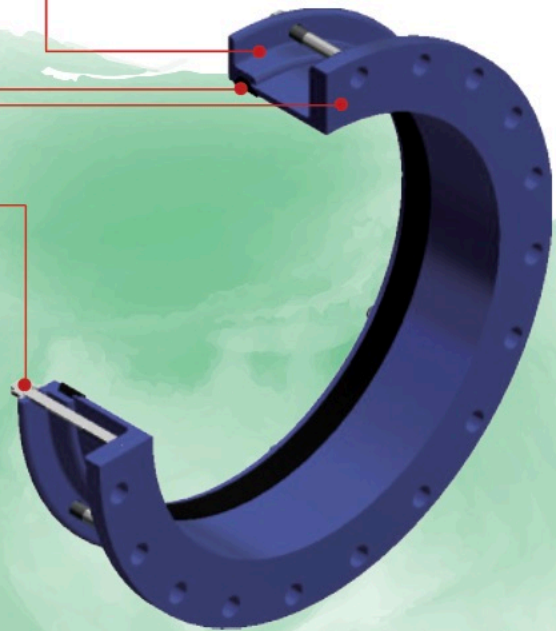
Standard and long sleeve lengths available to accomodate site conditions.

Flange Drilling

Flange drilling to any standard to accomodate site requirements.

END FLANGE

Consist 1 end flange fabricated rolled steel to BS EN 10025 (S275JR). Other material also available on request.



Range of Nominal Size (DN): DN65 - DN3200

Standard Specification:

BS EN 1092-1 / BS 512
BS EN 10224 / BS EN 10311
BS EN 10220
BS EN 1452-1 TO BS EN 1452-5

Flange Rating:

BS4504 : PN2.5, PN6, PN10, PN16, PN25, PN40
ANSI : Class 150, 300, 600, 900
AWWA : Class B, D, E
JIS : 5K, 10K, 16K, 20K

Approvals / Certificates:

IKRAM
SPAN
ISO 9001

FLANGE ADAPTOR

SCHE fabricates flange adaptor, for ductile iron and mild steel pipes, and suitable for drinking water and neutral liquids (sewage). Flange adaptors are used to enable plain-ended pipe to be connected either to flanged valves and other fittings.

STANDARDS:

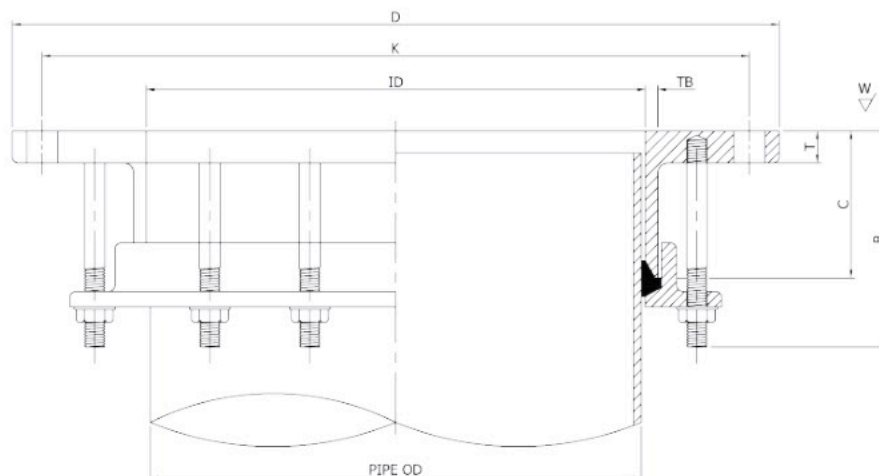
- BS EN 10217-1:2002+A1:2005, BS EN 10224:2002 (+BS EN 10311:2005), BS EN 1092-1:2013, SPAN specifications.
- Standard flange drilling to EN1092-1, PN 10/16/25/40
- Optional flange drilling: ANSI/ASME B16.5 (Class 150, 300, 600, 900), AWWA C207 (class B, D, E), JIS B2220/KS B1503 (5K, 10K, 16K, 20K).

FEATURES:

- Can absorb up to 5mm expansion, which allows for movement on bridge crossings, in chambers and pump stations.
- Can offer up to 3° of angular deflection, to allow for the connection of miss-aligned pipe to flange equipment and movement / settlement in service.
- Flange and body / centre sleeve / end rings:
 - Fabricated rolled steel grade S275JR BS EN 10025-1:2004.
 - Other grade or materials are also available upon request.
- Bolt, nuts and washers:
 - Hot dip galvanised to BS EN ISO 1461:2009
 - Stainless Steel Grade 304 and 316
- Rubber Ring / Sealing Ring:
 - Ethylene Propylene (EPDM) to MS672(1999) or BS EN 681-1:1996
- Standard Corrosion Protection:
 - FBE - Fusion Bonded Epoxy Powder Coating Internally and Externally at 250µ min. (up to DN1600)
 - Cold Applied Epoxy Coating sizes greater than DN1600

NOTE:

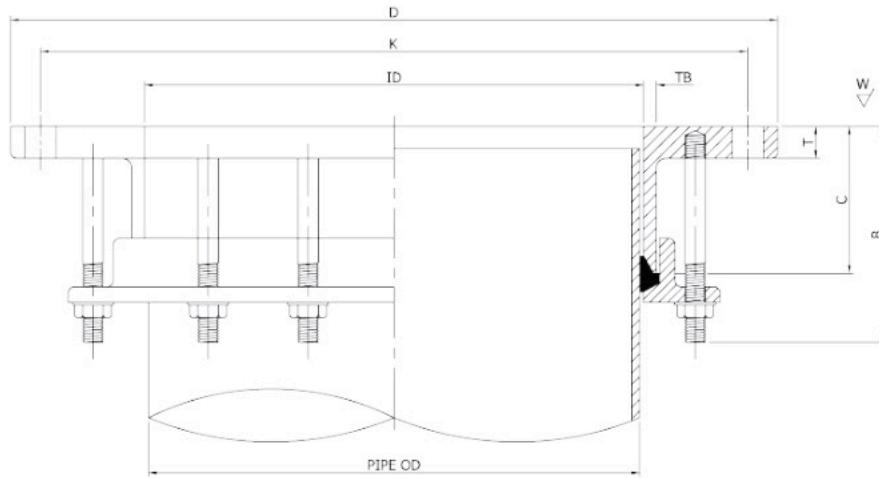
SCHE Flange Adaptor is not designed for end load resistant applications, SCHE Flange Adaptor do not resist longitudinal thrust loadings and pipe pull-out will occur unless the load are retained by other means, eg. Tie Lug c/w Tie Bolt.



Dimensions (MILD STEEL PIPE TO BS EN 10224) PN10:

PIPE ND mm	PIPE OD mm	ID mm	PN	D mm	T mm	B mm	C mm	TB mm	BOLT NO.	BOLT DIA. mm	BOLT HOLE DIA. mm	K mm	STUD NO.	STUD DIA. mm	STUD L mm
80	88.9	93.9	10	200	19	127	79	6.0	8	16	18	160	4	12	120
100	114.3	119.3	10	220	19	130	82	6.0	8	16	18	180	4	12	120
150	168.3	173.3	10	285	22	130	82	7.2	8	20	22	240	4	12	120
200	219.1	224.1	10	340	22	130	82	7.2	8	20	22	295	4	12	120
250	273.0	278.0	10	395	25	135	85	7.2	12	20	22	350	6	12	120
300	323.9	328.9	10	445	25	135	85	7.2	12	20	22	400	6	12	120
350	355.6	360.6	10	505	25	170	114	8.0	16	20	22	460	8	16	160
400	406.4	411.4	10	565	25	170	114	8.0	16	24	26	515	8	16	160
450	457.0	462.0	10	615	25	170	114	8.0	20	24	26	565	10	16	160
500	508.0	513.0	10	670	25	170	114	8.0	20	24	26	620	10	16	160
550	559.0	564.0	10	730	25	170	114	8.0	20	27	30	675	10	16	160
600	610.0	615.0	10	780	25	170	114	8.0	20	27	30	725	10	16	160
650	660.0	665.0	10	835	25	170	114	8.0	24	27	30	780	12	16	160
700	711.0	716.0	10	895	25	170	114	8.0	24	27	30	840	12	16	160
750	762.0	767.0	10	965	25	170	114	8.0	24	30	33	900	12	16	160
800	813.0	818.0	10	1015	25	170	114	8.0	24	30	33	950	12	16	160
900	914.0	919.0	10	1115	25	170	114	8.8	28	30	33	1050	14	16	160
1000	1016.0	1021.0	10	1230	25	170	114	8.8	28	33	36	1160	14	16	160
1100	1118.0	1124.0	10	1340	38	244	163	11.8	32	33	36	1270	16	16	225
1200	1219.0	1225.0	10	1455	38	244	163	11.8	32	36	39	1380	16	16	225
1400	1420.0	1426.0	10	1675	38	244	163	11.8	36	39	43	1590	18	16	225
1600	1620.0	1626.0	10	1915	60	266	185	11.8	40	45	49	1820	40	16	225
1800	1820.0	1826.0	10	2115	60	266	185	11.8	44	45	49	2020	44	16	225
2000	2020.0	2026.0	10	2325	60	266	185	15.0	48	45	49	2230	48	16	225

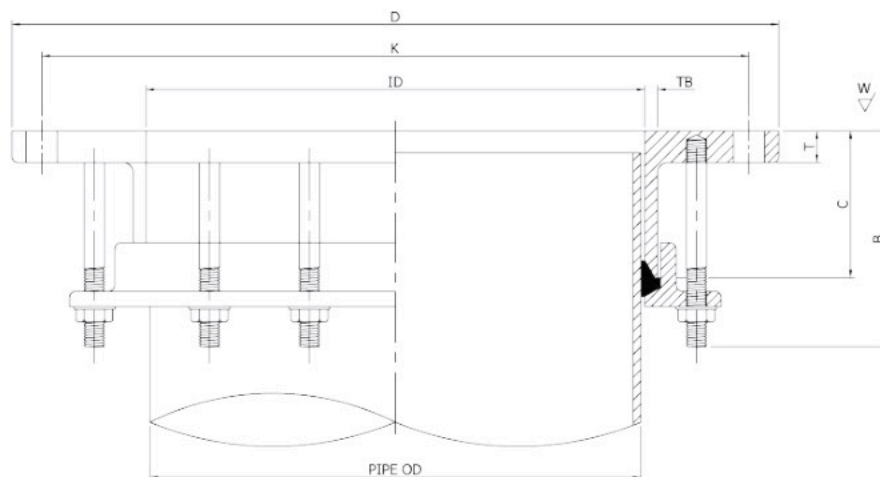
**** Other sizes are also available upon request.**



Dimensions (DUCTILE IRON PIPE TO BS EN 545) PN10:

PIPE ND mm	PIPE OD mm	ID mm	PN	D mm	T mm	B mm	C mm	TB mm	BOLT NO.	BOLT DIA. mm	BOLT HOLE DIA. mm	K mm	STUD NO.	STUD DIA. mm	STUD L mm
80	98	103	10	200	19	127	79	6.0	8	16	18	160	4	12	120
100	118	123	10	220	19	130	82	6.0	8	16	18	180	4	12	120
150	170	175	10	285	22	130	82	7.2	8	20	22	240	4	12	120
200	222	227	10	340	22	130	82	7.2	8	20	22	295	4	12	120
250	274	279	10	395	25	135	85	7.2	12	20	22	350	6	12	120
300	326	331	10	445	25	135	85	7.2	12	20	22	400	6	12	120
350	378	383	10	505	25	170	114	8.0	16	20	22	460	8	16	160
400	429	434	10	565	25	170	114	8.0	16	24	26	515	8	16	160
450	480	485	10	615	25	170	114	8.0	20	24	26	565	10	16	160
500	532	537	10	670	25	170	114	8.0	20	24	26	620	10	16	160
600	635	640	10	780	25	170	114	8.0	20	27	30	725	10	16	160
700	738	743	10	895	25	170	114	8.0	24	27	30	840	12	16	160
800	842	847	10	1015	25	170	114	8.0	24	30	33	950	12	16	160
900	945	950	10	1115	25	170	114	8.8	28	30	33	1050	14	16	160
1000	1048	1053	10	1230	25	170	114	8.8	28	33	36	1160	14	16	160
1100	1152	1158	10	1340	38	244	163	11.8	32	33	36	1270	16	16	225
1200	1255	1261	10	1455	38	244	163	11.8	32	36	39	1380	16	16	225
1400	1462	1468	10	1675	38	244	163	11.8	36	39	43	1590	18	16	225
1600	1668	1674	10	1915	60	266	185	11.8	40	45	49	1820	40	16	225
1800	1875	1881	10	2115	60	266	185	11.8	44	45	49	2020	44	16	225
2000	2082	2088	10	2325	60	266	185	15.0	48	45	49	2230	48	16	225

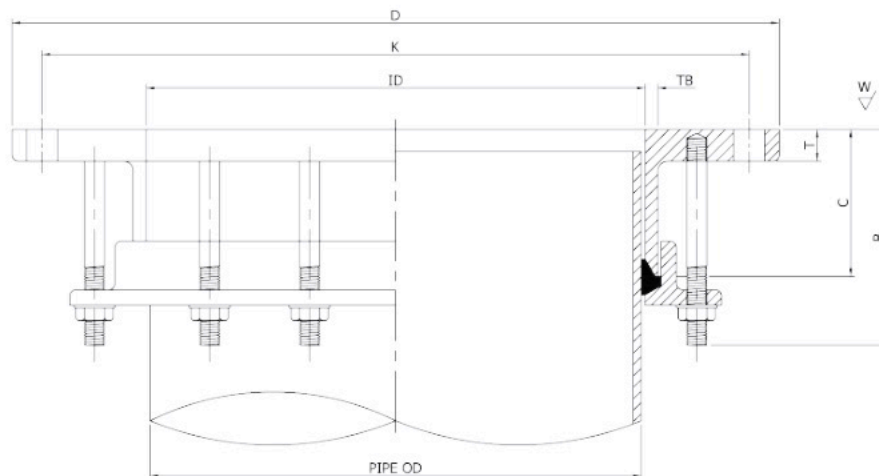
**** Other sizes are also available upon request.**



Dimensions (MILD STEEL PIPE TO BS EN 10224) PN16:

PIPE ND mm	PIPE OD mm	ID mm	PN	D mm	T mm	B mm	C mm	TB mm	BOLT NO.	BOLT DIA. mm	BOLT HOLE DIA. mm	K mm	STUD NO.	STUD DIA. mm	STUD L mm
80	88.9	93.9	16	200	19	127	79	6.0	8	16	18	160	4	12	120
100	114.3	119.3	16	220	19	130	82	6.0	8	16	18	180	4	12	120
150	168.3	173.3	16	285	22	130	82	7.2	8	20	22	240	4	12	120
200	219.1	224.1	16	340	22	130	82	7.2	12	20	22	295	6	12	120
250	273.0	278.0	16	405	25	135	85	7.2	12	24	26	355	6	12	120
300	323.9	328.9	16	460	25	135	85	7.2	12	24	26	410	6	12	120
350	355.6	360.6	16	520	25	170	114	8.0	16	24	26	470	8	16	160
400	406.4	411.4	16	580	25	170	114	8.0	16	27	30	525	8	16	160
450	457.0	462.0	16	640	25	170	114	8.0	20	27	30	585	10	16	160
500	508.0	513.0	16	715	25	170	114	8.0	20	30	33	650	10	16	160
550	559.0	564.0	16	775	25	170	114	8.0	20	30	33	710	10	16	160
600	610.0	615.0	16	840	25	170	114	8.0	20	33	36	770	10	16	160
650	660.0	665.0	16	860	25	170	114	8.0	24	33	36	790	12	16	160
700	711.0	716.0	16	910	25	170	114	8.0	24	33	36	840	12	16	160
750	762.0	767.0	16	970	25	170	114	8.0	24	33	36	900	12	16	160
800	813.0	818.0	16	1025	25	170	114	8.0	24	36	39	950	12	16	160
900	914.0	919.0	16	1125	25	170	114	8.8	28	36	39	1050	14	16	160
1000	1016.0	1021.0	16	1255	25	170	114	8.8	28	39	43	1170	14	16	160
1100	1118.0	1124.0	16	1355	38	244	163	11.8	32	39	43	1270	16	16	225
1200	1219.0	1225.0	16	1485	38	244	163	11.8	32	45	49	1390	16	16	225
1400	1420.0	1426.0	16	1685	38	244	163	11.8	36	45	49	1590	18	16	225
1600	1620.0	1626.0	16	1930	60	266	185	11.8	40	52	56	1820	40	16	225
1800	1820.0	1826.0	16	2130	60	266	185	11.8	44	52	56	2020	44	16	225
2000	2020.0	2026.0	16	2345	60	266	185	15.0	48	56	62	2230	48	16	225

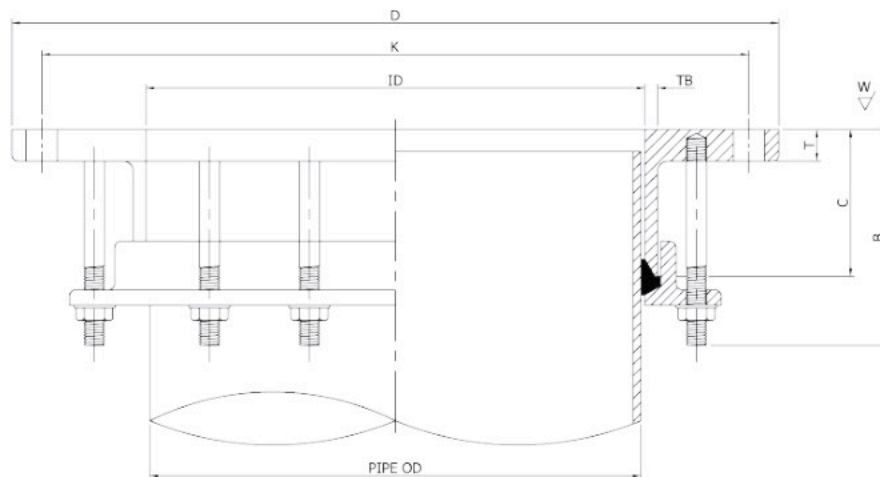
**** Other sizes are also available upon request.**



Dimensions (DUCTILE IRON PIPE TO BS EN 545) PN16:

PIPE ND mm	PIPE OD mm	ID mm	PN	D mm	T mm	B mm	C mm	TB mm	BOLT NO.	BOLT DIA. mm	BOLT HOLE DIA. mm	K mm	STUD NO.	STUD DIA. mm	STUD L mm
80	98	103	16	200	19	127	79	6.0	8	16	18	160	4	12	120
100	118	123	16	220	19	130	82	6.0	8	16	18	180	4	12	120
150	170	175	16	285	22	130	82	7.2	8	20	22	240	4	12	120
200	222	227	16	340	22	130	82	7.2	12	20	22	295	6	12	120
250	274	279	16	405	25	135	85	7.2	12	24	26	355	6	12	120
300	326	331	16	460	25	135	85	7.2	12	24	26	410	6	12	120
350	378	383	16	520	25	170	114	8.0	16	24	26	470	8	16	160
400	429	434	16	580	25	170	114	8.0	16	27	30	525	8	16	160
450	480	485	16	640	25	170	114	8.0	20	27	30	585	10	16	160
500	532	537	16	715	25	170	114	8.0	20	30	33	650	10	16	160
600	635	640	16	840	25	170	114	8.0	20	33	36	770	10	16	160
700	738	743	16	910	25	170	114	8.0	24	33	36	840	12	16	160
800	842	847	16	1025	25	170	114	8.0	24	36	39	950	12	16	160
900	945	950	16	1125	25	170	114	8.8	28	36	39	1050	14	16	160
1000	1048	1053	16	1255	25	170	114	8.8	28	39	43	1170	14	16	160
1100	1152	1158	16	1355	38	244	163	11.8	32	39	43	1270	16	16	225
1200	1255	1261	16	1485	38	244	163	11.8	32	45	49	1390	16	16	225
1400	1462	1468	16	1685	38	244	163	11.8	36	45	49	1590	18	16	225
1600	1668	1674	16	1930	60	266	185	11.8	40	52	56	1820	40	16	225
1800	1875	1881	16	2130	60	266	185	11.8	44	52	56	2020	44	16	225
2000	2082	2088	16	2345	60	266	185	15.0	48	56	62	2230	48	16	225

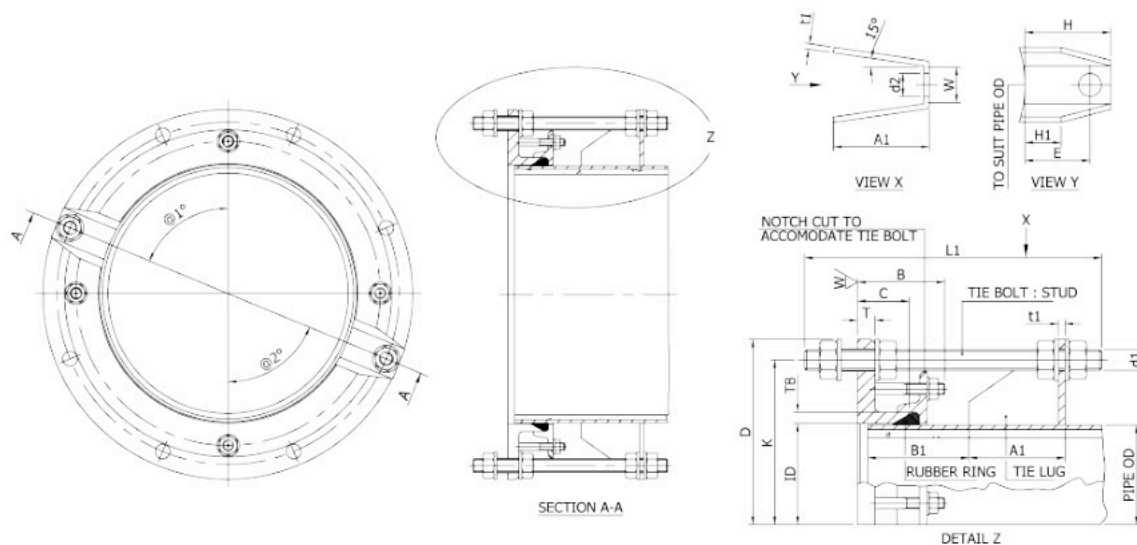
**** Other sizes are also available upon request.**



Dimensions (HDPE PIPE TO MS 1058:PART 2: 2002) PN16:

PIPE ND mm	PIPE OD mm	ID mm	PN	D mm	T mm	B mm	C mm	TB mm	BOLT NO.	BOLT DIA. mm	BOLT HOLE DIA. mm	K mm	STUD NO.	STUD DIA. mm	STUD L mm
63	63	68	16	165	19	195	150	6.0	4	16	18	125	2	12	190
75	75	80	16	185	19	195	150	6.0	4	16	18	145	2	12	190
90	90	95	16	200	19	195	150	6.0	8	16	18	160	4	12	190
110	110	115	16	220	19	195	150	6.0	8	16	18	180	4	12	190
125	125	130	16	250	22	195	150	7.2	8	16	18	210	4	12	190
140	140	145	16	250	22	195	150	7.2	8	16	18	210	4	12	190
160	160	165	16	285	22	195	150	7.2	8	20	22	240	4	12	190
180	180	185	16	315	22	195	150	7.2	8	20	22	270	4	12	190
200	200	205	16	340	22	195	150	7.2	12	20	22	295	6	12	190
225	225	230	16	340	22	195	150	7.2	12	20	22	295	6	12	190
250	250	255	16	405	25	195	150	7.2	12	24	26	355	6	12	190
280	280	285	16	405	25	195	150	7.2	12	24	26	355	6	12	190
315	315	320	16	460	25	195	150	7.2	12	24	26	410	6	12	190
355	355	360	16	520	25	200	150	8.0	16	24	26	470	8	16	200
400	400	405	16	580	25	200	150	8.0	16	27	30	525	8	16	200
450	450	455	16	640	25	200	150	8.0	20	27	30	585	10	16	200
500	500	505	16	715	25	200	150	8.0	20	30	33	650	10	16	200

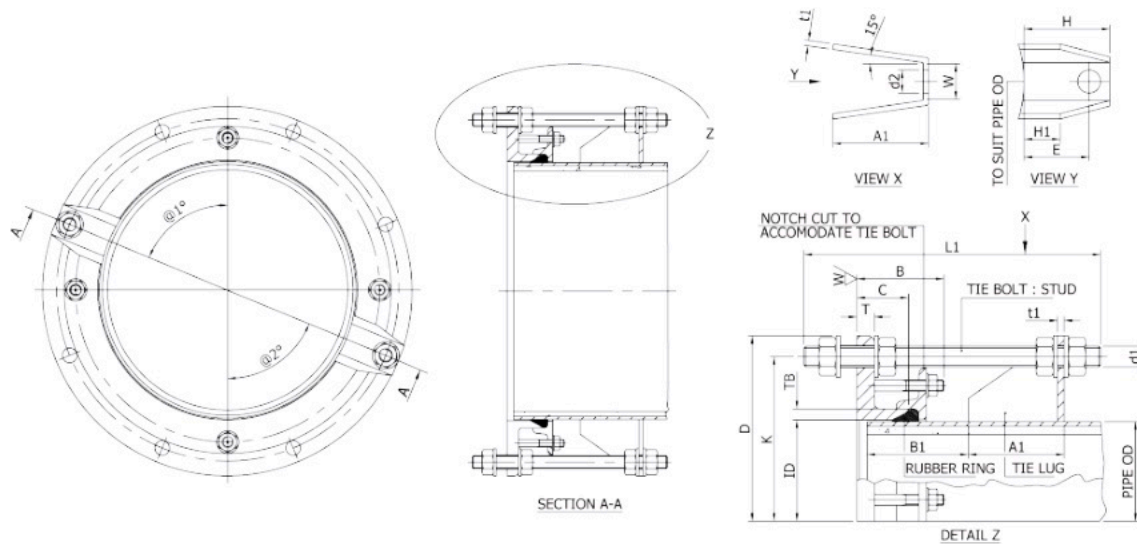
**** Other sizes are also available upon request.**



Dimensions (MILD STEEL PIPE TO BS EN 10224) PN10 :

PIPE ND mm	PIPE OD mm	ID mm	D mm	T mm	B mm	C mm	TB mm	BOLT NO.	BOLT DIA. mm	BOLT HOLE DIA. mm	K mm	STUD NO.	STUD DIA. mm	STUD L mm	TIE LUG / TIE BOLT set
80	88.9	93.9	200	19	127	79	6.0	8	16	18	160	4	12	120	2
100	114.3	119.3	220	19	130	82	6.0	8	16	18	180	4	12	120	2
150	168.3	173.3	285	22	130	82	7.2	8	20	22	240	4	12	120	2
200	219.1	224.1	340	22	130	82	7.2	8	20	22	295	4	12	120	4
250	273.0	278.0	395	25	135	85	7.2	12	20	22	350	6	12	120	4
300	323.9	328.9	445	25	135	85	7.2	12	20	22	400	6	12	120	4
350	355.6	360.6	505	25	170	114	8.0	16	20	22	460	8	16	160	4
400	406.4	411.4	565	25	170	114	8.0	16	24	26	515	8	16	160	4
450	457.0	462.0	615	25	170	114	8.0	20	24	26	565	10	16	160	4
500	508.0	513.0	670	25	170	114	8.0	20	24	26	620	10	16	160	4
550	559.0	564.0	730	25	170	114	8.0	20	27	30	675	10	16	160	4
600	610.0	615.0	780	25	170	114	8.0	20	27	30	725	10	16	160	4
650	660.0	665.0	835	25	170	114	8.0	24	27	30	780	12	16	160	6
700	711.0	716.0	895	25	170	114	8.0	24	27	30	840	12	16	160	6
750	762.0	767.0	965	25	170	114	8.0	24	30	33	900	12	16	160	6
800	813.0	818.0	1015	25	170	114	8.0	24	30	33	950	12	16	160	6
900	914.0	919.0	1115	25	170	114	8.8	28	30	33	1050	14	16	160	7
1000	1016.0	1021.0	1230	25	170	114	8.8	28	33	36	1160	14	16	160	7
1100	1118.0	1124.0	1340	38	244	163	11.8	32	33	36	1270	16	16	225	8
1200	1219.0	1225.0	1455	38	244	163	11.8	32	36	39	1380	16	16	225	8
1400	1420.0	1426.0	1675	38	244	163	11.8	36	39	43	1590	18	16	225	9
1600	1620.0	1626.0	1915	60	266	185	11.8	40	45	49	1820	40	16	225	10
1800	1820.0	1826.0	2115	60	266	185	11.8	44	45	49	2020	44	16	225	11
2000	2020.0	2026.0	2325	60	266	185	15.0	48	45	49	2230	48	16	225	12

**** Other sizes are also available upon request.**



Dimensions (MILD STEEL PIPE TO BS EN 10224) PN16 :

PIPE ND mm	PIPE OD mm	ID mm	D mm	T mm	B mm	C mm	TB mm	BOLT NO.	BOLT DIA. mm	BOLT HOLE DIA. mm	K mm	STUD NO.	STUD DIA. mm	STUD L mm	TIE LUG / TIE BOLT set
80	88.9	93.9	200	19	127	79	6.0	8	16	18	160	4	12	120	2
100	114.3	119.3	220	19	130	82	6.0	8	16	18	180	4	12	120	2
150	168.3	173.3	285	22	130	82	7.2	8	20	22	240	4	12	120	2
200	219.1	224.1	340	22	130	82	7.2	12	20	22	295	6	12	120	4
250	273.0	278.0	405	25	135	85	7.2	12	24	26	355	6	12	120	4
300	323.9	328.9	460	25	135	85	7.2	12	24	26	410	6	12	120	4
350	355.6	360.6	520	25	170	114	8.0	16	24	26	470	8	16	160	4
400	406.4	411.4	580	25	170	114	8.0	16	27	30	525	8	16	160	4
450	457.0	462.0	640	25	170	114	8.0	20	27	30	585	10	16	160	4
500	508.0	513.0	715	25	170	114	8.0	20	30	33	650	10	16	160	4
550	559.0	564.0	775	25	170	114	8.0	20	30	33	710	10	16	160	4
600	610.0	615.0	840	25	170	114	8.0	20	33	36	770	10	16	160	4
650	660.0	665.0	860	25	170	114	8.0	24	33	36	790	12	16	160	6
700	711.0	716.0	910	25	170	114	8.0	24	33	36	840	12	16	160	6
750	762.0	767.0	970	25	170	114	8.0	24	33	36	900	12	16	160	6
800	813.0	818.0	1025	25	170	114	8.0	24	36	39	950	12	16	160	6
900	914.0	919.0	1125	25	170	114	8.8	28	36	39	1050	14	16	160	7
1000	1016.0	1021.0	1255	25	170	114	8.8	28	39	43	1170	14	16	160	7
1100	1118.0	1124.0	1355	38	244	163	11.8	32	39	43	1270	16	16	225	8
1200	1219.0	1225.0	1485	38	244	163	11.8	32	45	49	1390	16	16	225	8
1400	1420.0	1426.0	1685	38	244	163	11.8	36	45	49	1590	18	16	225	9
1600	1620.0	1626.0	1930	60	266	185	11.8	40	52	56	1820	40	16	225	10
1800	1820.0	1826.0	2130	60	266	185	11.8	44	52	56	2020	44	16	225	11
2000	2020.0	2026.0	2345	60	266	185	15.0	48	56	62	2230	48	16	225	12

**** Other sizes are also available upon request.**



**ND3000MM FLANGE ADAPTOR
PROJECT LANGAT 2
AT SELANGOR, MALAYSIA.
YEAR 2016**



ADAPTOR

Flange drilling to any standard to accommodate site requirements. Standard and long sleeve lengths available to accommodate site conditions.

GASKET

Ethylene Propylene (EPDM) as standard and it is water quality approved material.

BOLT & NUT

Hot Dip Galvanized to BS EN ISO 1461. Stainless Steel 304/ 316 are also available on request.

END FLANGE

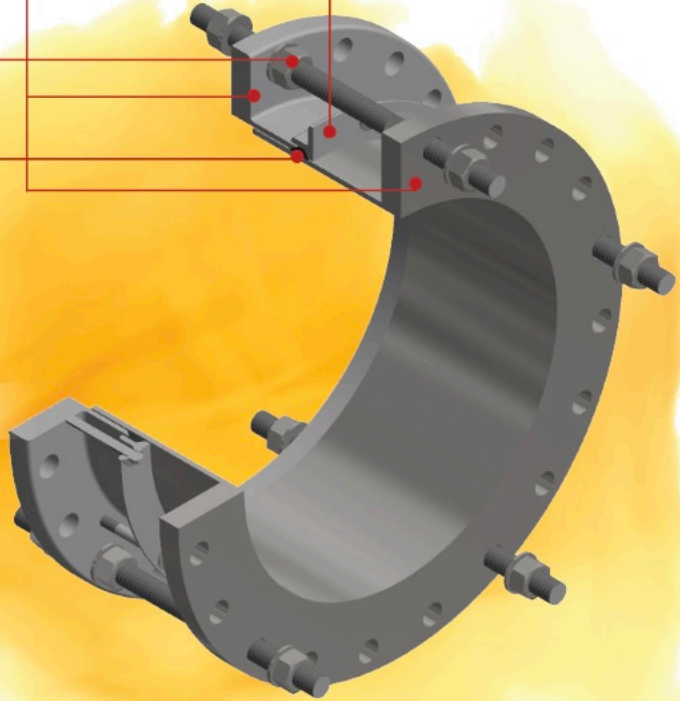
Flange drilling to any standard to accommodate site requirements.

Longitudinal Adjustment

Longitudinal adjustment facilities installation and removal of flange equipment.

Independent Gasket Tightening

Stud independent of the tie rods compress the gasket ensuring long term sealing performance that is not effected due to any external loading.



DISMANTLING JOINT

SCHE Dismantling Joint consists of two flanges spigot pieces and a loose flange, one of which slides in the other flange spigot piece and a loose flange which compresses the sealing rings and is clamped by means of full threaded tie studs.

Range of Nominal Size (DN): DN50 - DN3200

Standard Specification:

BS EN 1092-1 / BS 512
BS EN 10224 / BS EN 10311
BS EN 10220
BS EN 1452-1 TO BS EN 1452-5

Flange Rating:

BS4504 : PN2.5, PN6, PN10, PN16, PN25, PN40
ANSI : Class 150, 300, 600, 900
AWWA : Class B, D, E
JIS : 5K, 10K, 16K, 20K

Approvals / Certificates:

IKRAM
SPAN
ISO 9001

DISMANTLING JOINT TYPE A / TYPE B

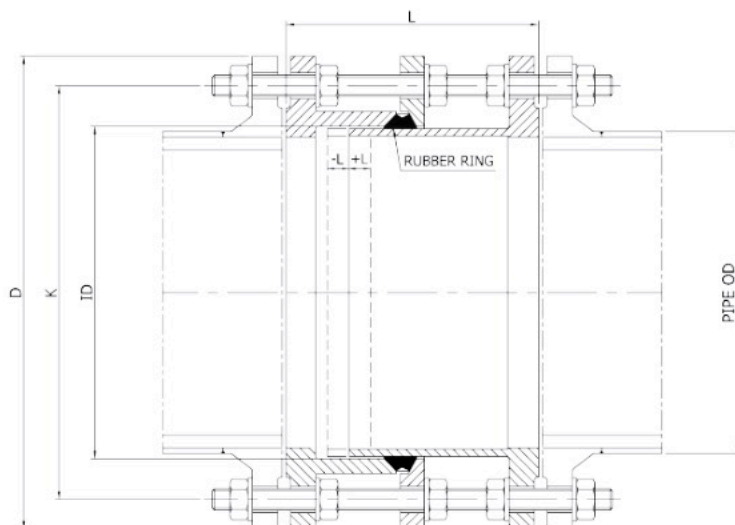
SCHE fabricated dismantling joint provides easy installation and disassembly of flanged pipework and fittings, or flanged equipment such as valves, meters and pumps. This fitting also allows for axial displacement of pipework during construction.

STANDARDS:

- BS EN 10217-1:2002+A1:2005, BS EN 10224:2002 (+BS EN 10311:2005), BS EN 1092-1:2013, SPAN specifications.
- Standard flange drilling to EN1092-1, PN 10/16.
- Optional flange drilling: ANSI/ASME B16.5 (Class 150, 300, 600, 900), AWWA C207 (class B, D, E), JIS B2220/KS B1503 (5K, 10K, 16K, 20K).

FEATURES:

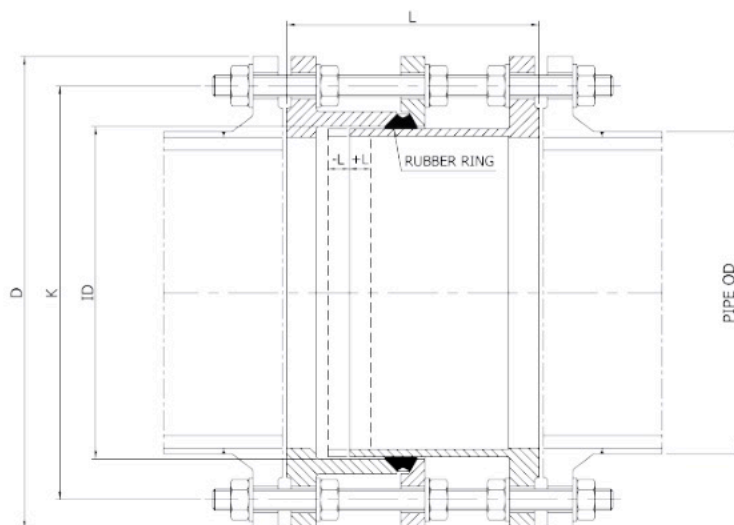
- Dismantling Joint can compensate for differences in flange to flange distance.
- Dismantling Joint simplify the installation of pipeline. With fewer tie bars than flange holes and the tie bars acting as flange jointing bolts the process is speeded up but still offers a secure, rigid, fully end load resistant system with a pressure rating equal to that of the flange.
- Flange and body / centre sleeve / end rings:
 - Fabricated rolled steel grade S275JR BS EN 10025-1:2004.
 - Other grade or materials are also available upon request.
- Bolt, nuts and washers:
 - Hot dip galvanised to BS EN ISO 1461:2009
 - Stainless Steel grade 304 and 316
- Gasket / Sealing Ring:
 - Ethylene Propylene (EPDM) to MS672 (1999) or BS EN 681-1:1996
- Standard Corrosion Protection:
 - FBE - Fusion Bonded Epoxy Powder Coating internally and externally at 250µ min. thickness.
 - Cold applied epoxy coating for size greater than DN1600



Dismantling Joint Type A - Mild Steel S275 JR PN10

PIPE ND mm	PIPE OD mm	ID mm	D mm	K mm	L mm	STUD NO.	STUD DIA. mm	STUD HOLE DIA. mm	STUD L mm
50	60.3	65.3	165	125	200	4	16	18	310
65	76.1	81.1	185	145	200	4	16	18	310
80	88.9	93.9	200	160	200	8	16	18	310
100	114.3	119.3	220	180	220	8	16	18	340
150	168.3	173.3	285	240	220	8	20	22	350
200	219.1	224.1	340	295	250	8	20	22	380
250	273.0	278.0	395	350	250	12	20	22	390
300	323.9	328.9	445	400	250	12	20	22	390
350	355.6	360.6	505	460	260	16	20	22	400
400	406.4	411.4	565	515	300	16	24	26	450
450	457.0	462.0	615	565	300	20	24	26	460
500	508.0	513.0	670	620	300	20	24	26	460
550	559.0	564.0	730	675	320	20	27	30	490
600	610.0	615.0	780	725	320	20	27	30	490
650	660.0	665.0	835	780	320	24	27	30	490
700	711.0	716.0	895	840	320	24	27	30	490
750	762.0	767.0	965	900	320	24	30	33	500
800	813.0	818.0	1015	950	340	24	30	33	525
900	914.0	919.0	1115	1050	340	28	30	33	530
1000	1016.0	1021.0	1230	1160	360	28	33	36	565
1100	1118.0	1124.0	1340	1270	360	32	33	36	570
1200	1219.0	1225.0	1455	1380	380	32	36	39	605
1400	1420.0	1426.0	1675	1590	380	36	39	42	620
1600	1620.0	1626.0	1915	1820	400	40	45	48	660
1800	1820.0	1826.0	2115	2020	400	44	45	48	660
2000	2020.0	2026.0	2325	2230	400	48	45	48	680
2200	2220.0	2226.0	2550	2440	420	52	52	56	720
2400	2420.0	2426.0	2760	2650	440	56	52	56	750

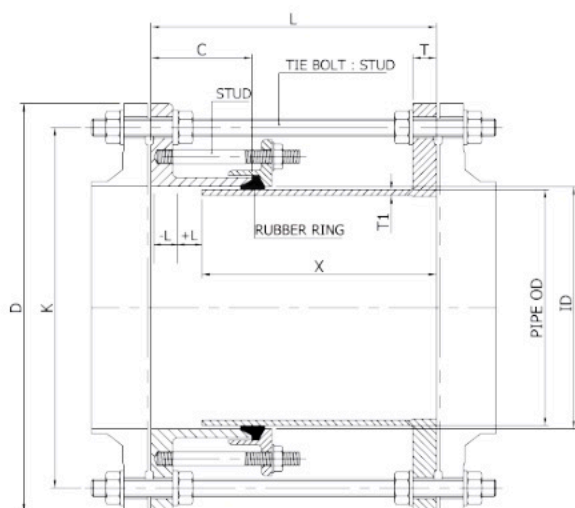
**** Other sizes are also available upon request.**



Dismantling Joint Type A - Mild Steel S275 JR PN16

PIPE ND mm	PIPE OD mm	ID mm	D mm	K mm	L mm	STUD NO.	STUD DIA. mm	STUD HOLE DIA. mm	STUD L mm
50	60.3	65.3	165	125	200	4	16	18	310
65	76.1	81.1	185	145	200	4	16	18	310
80	88.9	93.9	200	160	200	8	16	18	310
100	114.3	119.3	220	180	220	8	16	18	340
150	168.3	173.3	285	240	220	8	20	22	350
200	219.1	224.1	340	295	250	12	20	22	390
250	273.0	278.0	405	355	250	12	24	26	400
300	323.9	328.9	460	410	250	12	24	26	400
350	355.6	360.6	520	470	260	16	24	26	415
400	406.4	411.4	580	525	300	16	27	30	465
450	457.0	462.0	640	585	300	20	27	30	470
500	508.0	513.0	715	650	300	20	30	33	480
550	559.0	564.0	775	710	300	20	30	33	480
600	610.0	615.0	840	770	320	20	33	36	520
650	660.0	665.0	860	790	320	24	33	36	520
700	711.0	716.0	910	840	320	24	33	36	530
750	762.0	767.0	970	900	320	24	33	36	530
800	813.0	818.0	1025	950	340	24	36	39	560
900	914.0	919.0	1125	1050	340	28	36	39	570
1000	1016.0	1021.0	1255	1170	360	28	39	42	600
1100	1118.0	1124.0	1355	1270	360	32	39	42	610
1200	1219.0	1225.0	1485	1390	380	32	45	48	650
1400	1420.0	1426.0	1685	1590	380	36	45	48	655
1600	1620.0	1626.0	1930	1820	400	40	52	57	700
1800	1820.0	1826.0	2130	2020	420	44	52	57	730
2000	2020.0	2026.0	2345	2230	440	48	56	62	770
2200	2220.0	2226.0	2550	2440	420	52	52	56	790
2400	2420.0	2426.0	2760	2650	440	56	52	56	810

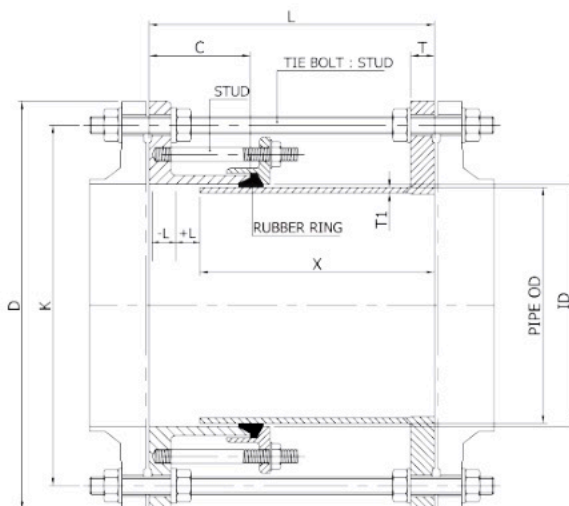
**** Other sizes are also available upon request.**



Dismantling Joint Type B - Mild Steel S275 JR PN10

PIPE ND mm	PIPE OD mm	ID mm	D mm	K mm	L mm	X mm	C mm	T mm	T1 mm	TIE BOLT NO.	TIE BOLT DIA. mm	TIE BOLT L mm	STUD NO. mm	STUD DIA. mm	STUD L mm
50	60.3	65.3	165	125	200	170	79	19	6	4	16	310	2	12	120
65	76.1	81.1	185	145	200	170	79	19	6	4	16	310	2	12	120
80	88.9	93.9	200	160	200	170	79	19	6	4	16	310	4	12	120
100	114.3	119.3	220	180	220	190	82	22	6	4	16	340	4	12	120
150	168.3	173.3	285	240	220	190	82	22	7.5	4	20	350	4	12	120
200	219.1	224.1	340	295	250	220	82	22	7.5	4	20	390	6	12	120
250	273.0	278.0	405	355	250	220	85	25	7.5	4	24	400	6	12	120
300	323.9	328.9	460	410	250	220	85	25	7.5	4	24	400	6	12	120
350	355.6	360.6	520	470	260	220	114	27	9	4	24	415	8	16	160
400	406.4	411.4	580	525	300	260	115	28	9	4	27	465	8	16	160
450	457.0	462.0	640	585	300	260	117	30	9	5	27	470	10	16	160
500	508.0	513.0	715	650	300	260	119	32	9	5	30	480	10	16	160
550	559.0	564.0	775	710	300	260	119	32	9	5	30	480	10	16	160
600	610.0	615.0	840	770	320	280	123	36	9	5	33	520	10	16	160
650	660.0	665.0	860	790	320	280	123	36	9	6	33	520	12	16	160
700	711.0	716.0	910	840	320	280	127	40	9	6	33	530	12	16	160
750	762.0	767.0	970	900	320	280	127	40	9	6	33	530	12	16	160
800	813.0	818.0	1025	950	340	300	130	43	9	6	36	560	12	16	160
900	914.0	919.0	1125	1050	340	300	134	47	9	7	36	570	14	16	160
1000	1016.0	1021.0	1255	1170	360	320	137	50	9	7	39	600	14	16	160
1100	1118.0	1124.0	1355	1270	360	320	179	54	12	8	39	610	16	16	225
1200	1219.0	1225.0	1485	1390	380	340	182	57	12	8	45	650	16	16	225
1400	1420.0	1426.0	1685	1590	380	340	185	60	12	9	45	655	18	16	225
1600	1620.0	1626.0	1930	1820	400	350	190	65	13	10	52	700	40	16	225
1800	1820.0	1826.0	2130	2020	420	370	195	70	13	11	52	730	44	16	225
2000	2020.0	2026.0	2345	2230	440	390	200	75	15	12	56	770	48	16	225
2200	2220.0	2226.0	2555	2440	450	400	205	80	16	13	56	790	52	19	240
2400	2420.0	2426.0	2765	2650	460	410	210	85	22	14	56	810	56	19	240

** Other sizes are also available upon request.



Dismantling Joint Type B - Mild Steel S275 JR PN16

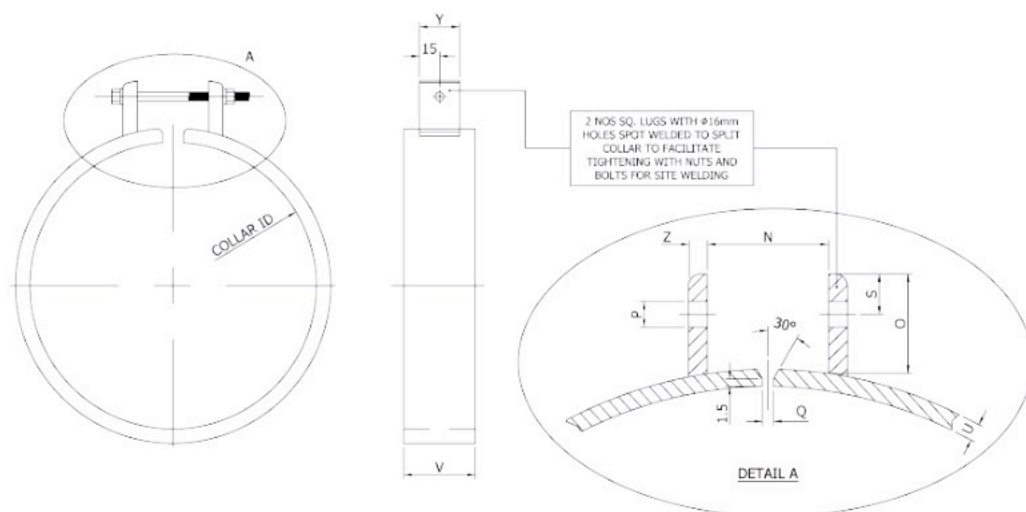
PIPE ND mm	PIPE OD mm	ID mm	D mm	K mm	L mm	X mm	C mm	T mm	T1 mm	TIE BOLT NO.	TIE BOLT DIA. mm	TIE BOLT L mm	STUD NO. mm	STUD DIA. mm	STUD L mm
50	60.3	65.3	165	125	200	170	79	19	6	4	16	310	2	12	120
65	76.1	81.1	185	145	200	170	79	19	6	4	16	310	2	12	120
80	88.9	93.9	200	160	200	170	79	19	6	4	16	310	4	12	120
100	114.3	119.3	220	180	220	190	82	22	6	4	16	340	4	12	120
150	168.3	173.3	285	240	220	190	82	22	7.5	4	20	350	4	12	120
200	219.1	224.1	340	295	250	220	82	22	7.5	4	20	390	6	12	120
250	273.0	278.0	405	355	250	220	85	25	7.5	4	24	400	6	12	120
300	323.9	328.9	460	410	250	220	85	25	7.5	4	24	400	6	12	120
350	355.6	360.6	520	470	260	220	114	27	9	4	24	415	8	16	160
400	406.4	411.4	580	525	300	260	115	28	9	4	27	465	8	16	160
450	457.0	462.0	640	585	300	260	117	30	9	5	27	470	10	16	160
500	508.0	513.0	715	650	300	260	119	32	9	5	30	480	10	16	160
550	559.0	564.0	775	710	300	260	119	32	9	5	30	480	10	16	160
600	610.0	615.0	840	770	320	280	123	36	9	5	33	520	10	16	160
650	660.0	665.0	860	790	320	280	123	36	9	6	33	520	12	16	160
700	711.0	716.0	910	840	320	280	127	40	9	6	33	530	12	16	160
750	762.0	767.0	970	900	320	280	127	40	9	6	33	530	12	16	160
800	813.0	818.0	1025	950	340	300	130	43	9	6	36	560	12	16	160
900	914.0	919.0	1125	1050	340	300	134	47	9	7	36	570	14	16	160
1000	1016.0	1021.0	1255	1170	360	320	137	50	9	7	39	600	14	16	160
1100	1118.0	1124.0	1355	1270	360	320	179	54	12	8	39	610	16	16	225
1200	1219.0	1225.0	1485	1390	380	340	182	57	12	8	45	650	16	16	225
1400	1420.0	1426.0	1685	1590	380	340	185	60	12	9	45	655	18	16	225
1600	1620.0	1626.0	1930	1820	400	350	190	65	13	10	52	700	40	16	225
1800	1820.0	1826.0	2130	2020	420	370	195	70	13	11	52	730	44	16	225
2000	2020.0	2026.0	2345	2230	440	390	200	75	15	12	56	770	48	16	225
2200	2220.0	2226.0	2555	2440	450	400	205	80	16	13	56	790	52	19	240
2400	2420.0	2426.0	2765	2650	460	410	210	85	22	14	56	810	56	19	240

**** Other sizes are also available upon request.**



**ND1000MM
DISMANTLING
JOINT TYPE B
YEAR 2019**

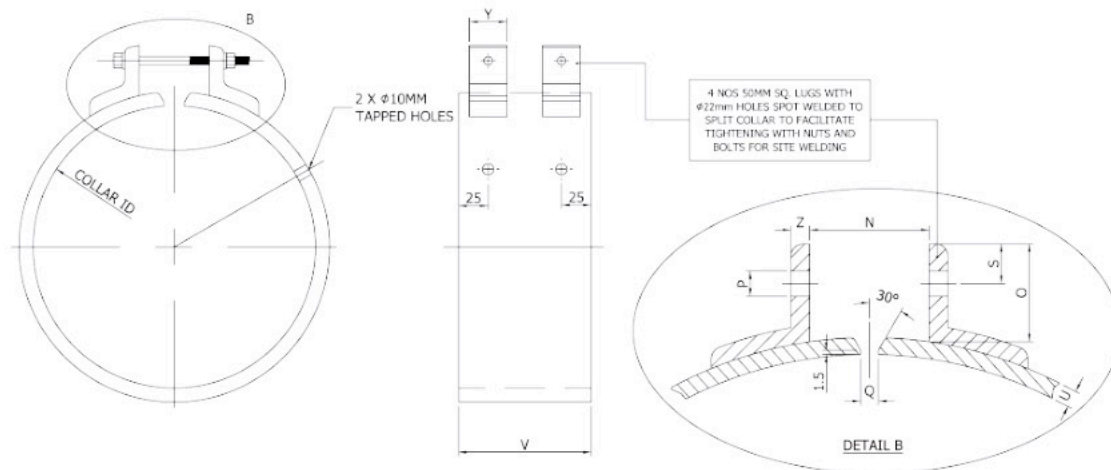
COLLAR JOINT



FOR PIPE OD 88.9 TO 660.0

PIPE ND mm	PIPE OD mm	ID mm	N mm	O mm	P mm	Q mm	S mm	U mm	V mm	Y mm	Z mm
80	88.9	91.9	25	30	16	0	15	3.6	100	30	3.6
100	114.3	117.3	25	30	16	0	15	3.6	100	30	3.6
150	168.3	171.3	25	30	16	0	15	3.6	100	30	3.6
200	219.1	222.1	25	30	16	0	15	4.1	100	30	4.1
250	273.0	276.0	25	30	16	0	15	4.1	100	30	4.1
300	323.9	326.9	25	30	16	0	15	4.1	125	30	4.1
350	355.6	358.6	25	30	16	0	15	4.5	150	30	4.5
400	406.4	409.4	25	30	16	0	15	6.0	150	30	6.0
450	457.0	460.0	25	30	16	0	15	6.0	150	30	6.0
500	508.0	511.0	25	30	16	0	15	6.0	150	30	6.0
550	559.0	562.0	25	30	16	0	15	6.0	150	30	6.0
600	610.0	613.0	25	30	16	0	15	6.0	150	30	6.0
650	660.0	663.0	25	30	16	0	15	6.0	150	30	6.0

** Other sizes are also available upon request.

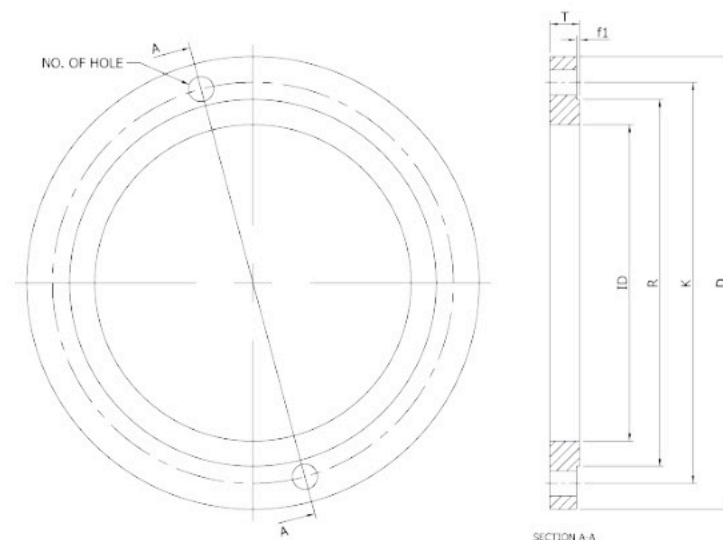


FOR PIPE OD 711.0 TO 1620.0

PIPE ND mm	PIPE OD mm	ID mm	N mm	O mm	P mm	Q mm	S mm	U mm	V mm	Y mm	Z mm
700	711.0	714.0	100	50	22	0	22	6.3	200	50	6.3
750	762.0	765.0	100	50	22	0	22	7.4	200	50	7.4
800	813.0	816.0	100	50	22	0	22	7.1	200	50	7.1
900	914.0	917.0	100	50	22	0	22	7.1	200	50	7.1
1000	1016.0	1020.0	100	50	22	0	22	7.1	250	50	7.1
1100	1118.0	1122.0	100	50	22	0	22	8.0	250	50	8.0
1200	1219.0	1223.0	100	50	22	0	22	8.0	250	50	8.0
1400	1420.0	1424.0	100	50	22	0	22	8.8	250	50	8.8
1600	1620.0	1624.0	100	50	22	0	22	10.0	250	50	10.0

** Other sizes are also available upon request.

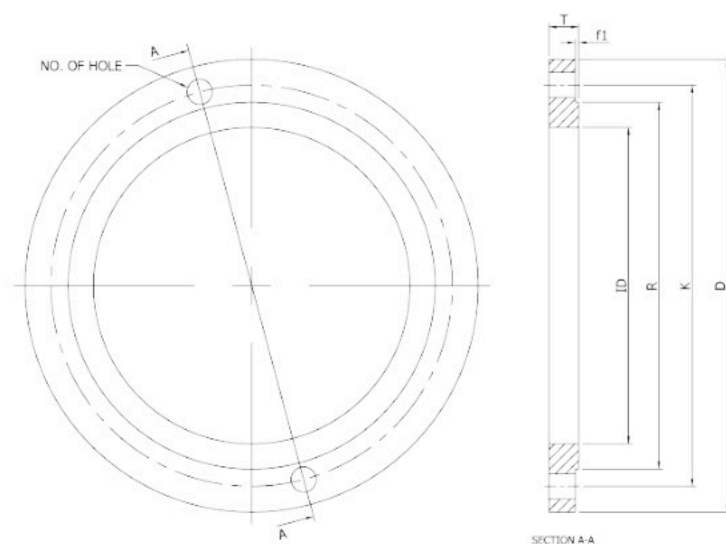
RING FLANGE



Dimensions (FLAT FACE BS EN 1092-1 PN10):

PIPE ND mm	PIPE OD mm	ID mm	D mm	K mm	R mm	T mm	f1 mm	NO. OF HOLE	BOLT DIA. mm	BOLT HOLE DIA. mm
50	60.3	63.3	165	125	102	20	3	4	16	18
65	76.1	79.1	185	145	122	20	3	4	16	18
80	88.9	91.9	200	160	138	20	3	8	16	18
100	114.3	117.3	220	180	158	22	3	8	16	18
150	168.3	171.3	285	240	212	24	3	8	20	22
200	219.1	222.1	340	295	268	24	3	8	20	22
250	273.0	276.0	395	350	320	26	3	12	20	22
300	323.9	326.9	445	400	370	26	4	12	20	22
350	355.6	358.6	505	460	430	28	4	16	20	22
400	406.4	409.4	565	515	482	32	4	16	24	26
450	457.0	460.0	615	565	532	36	4	20	24	26
500	508.0	511.0	670	620	585	38	4	20	24	26
550	559.0	562.0	730	675	638	42	4	20	27	30
600	610.0	613.0	780	725	685	42	5	20	27	30
650	660.0	663.0	835	780	744	50	5	24	27	30
700	711.0	714.0	895	840	800	50	5	24	27	30
750	762.0	765.0	965	900	855	56	5	24	30	33
800	813.0	816.0	1015	950	905	56	5	24	30	33
900	914.0	917.0	1115	1050	1005	62	5	28	30	33
1000	1016.0	1020.0	1230	1160	1110	62	5	28	33	36
1100	1118.0	1122.0	1340	1270	1215	68	5	32	33	36
1200	1219.0	1223.0	1455	1380	1330	74	5	32	36	39
1400	1420.0	1424.0	1675	1590	1535	78	5	36	39	42
1600	1620.0	1624.0	1915	1820	1760	88	5	40	45	48
1800	1820.0	1824.0	2115	2020	1960	96	5	44	45	48
2000	2020.0	2024.0	2325	2230	2170	110	5	48	45	48

**** Other sizes are also available upon request.**

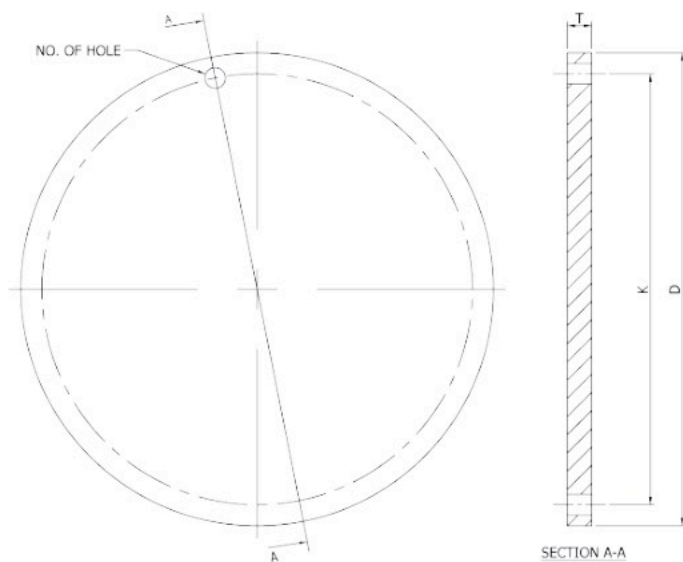


Dimensions (FLAT FACE BS EN 1092-1 PN16):

PIPE ND mm	PIPE OD mm	ID mm	D mm	K mm	R mm	T mm	f1 mm	NO. OF HOLE	BOLT DIA. mm	BOLT HOLE DIA. mm
50	60.3	63.3	165	125	102	20	3	4	16	18
65	76.1	79.1	185	145	122	20	3	4	16	18
80	88.9	91.9	200	160	138	20	3	8	16	18
100	114.3	117.3	220	180	158	22	3	8	16	18
150	168.3	171.3	285	240	212	24	3	8	20	22
200	219.1	222.1	340	295	268	26	3	12	20	22
250	273.0	276.0	405	355	320	29	3	12	24	26
300	323.9	326.9	460	410	378	32	4	12	24	26
350	355.6	358.6	520	470	438	35	4	16	24	26
400	406.4	409.4	580	525	490	38	4	16	27	30
450	457.0	460.0	640	585	550	42	4	20	27	30
500	508.0	511.0	715	650	610	46	4	20	30	33
550	559.0	562.0	775	710	670	48	4	20	30	33
600	610.0	613.0	840	770	725	52	5	20	33	36
650	660.0	663.0	860	790	745	56	5	24	33	36
700	711.0	714.0	910	840	795	60	5	24	33	36
750	762.0	765.0	970	900	855	68	5	24	33	36
800	813.0	816.0	1025	950	900	68	5	24	36	39
900	914.0	917.0	1125	1050	1000	76	5	28	36	39
1000	1016.0	1020.0	1255	1170	1115	84	5	28	39	42
1100	1118.0	1122.0	1355	1270	1215	90	5	32	39	43
1200	1219.0	1223.0	1485	1390	1330	98	5	32	45	48
1400	1420.0	1424.0	1685	1590	1530	104	5	36	45	48
1600	1620.0	1624.0	1930	1820	1750	110	5	40	52	56
1800	1820.0	1824.0	2130	2020	1950	130	5	44	52	56
2000	2020.0	2024.0	2345	2230	2150	140	5	48	56	62

**** Other sizes are also available upon request.**

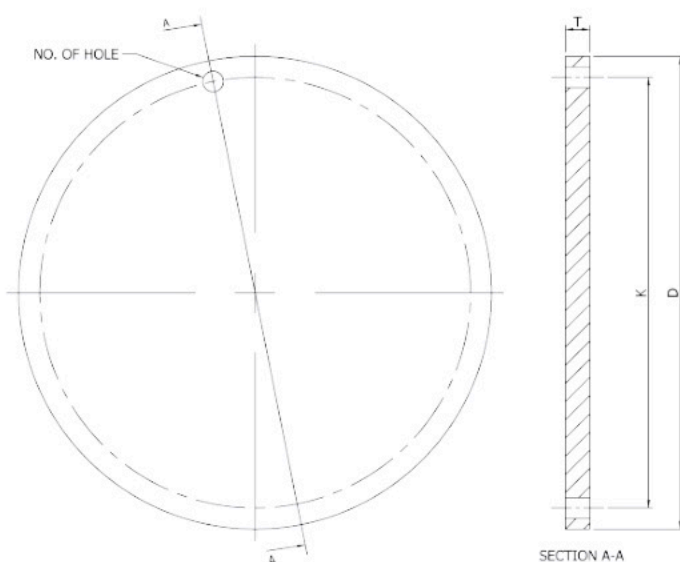
BLANK FLANGE



Dimensions (BS EN 1092-1 PN10):

PIPE ND mm	PIPE OD mm	D mm	K mm	T mm	NO. OF HOLE	BOLT DIA. mm	BOLT HOLE DIA. mm
50	60.3	165	125	20	4	16	18
65	76.1	185	145	20	4	16	18
80	88.9	200	160	20	8	16	18
100	114.3	220	180	20	8	16	18
150	168.3	285	240	22	8	20	22
200	219.1	340	295	24	8	20	22
250	273.0	395	350	26	12	20	22
300	323.9	445	400	26	12	20	22
350	355.6	505	460	26	16	20	22
400	406.4	565	515	26	16	24	26
450	457.0	615	565	28	20	24	26
500	508.0	670	620	28	20	24	26
550	559.0	730	675	34	20	27	30
600	610.0	780	725	34	20	27	30
650	660.0	835	780	38	24	27	30
700	711.0	895	840	38	24	27	30
750	762.0	965	900	40	24	30	33
800	813.0	1015	950	42	24	30	33
900	914.0	1115	1050	46	28	30	33
1000	1016.0	1230	1160	52	28	33	36
1100	1118.0	1340	1270	58	32	33	36
1200	1219.0	1455	1380	60	32	36	39
1400	1420.0	1675	1590	66	36	39	42
1600	1620.0	1915	1820	73	40	45	48
1800	1820.0	2115	2020	76	44	45	48
2000	2020.0	2325	2230	78	48	45	48

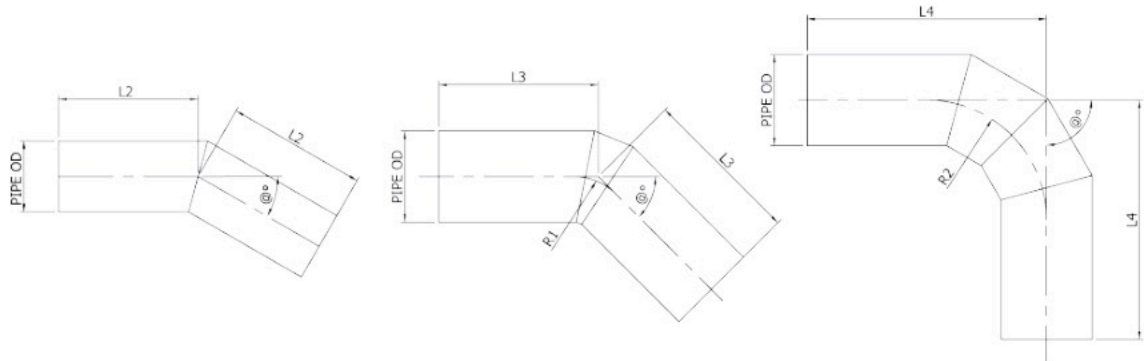
**** Other sizes are also available upon request.**


Dimensions (BS EN 1092-1 PN16):

PIPE ND mm	PIPE OD mm	D mm	K mm	T mm	NO. OF HOLE	BOLT DIA. mm	BOLT HOLE DIA. mm
50	60.3	165	125	20	4	16	18
65	76.1	185	145	20	4	16	18
80	88.9	200	160	20	8	16	18
100	114.3	220	180	22	8	16	18
150	168.3	285	240	22	8	20	22
200	219.1	340	295	24	12	20	22
250	273.0	405	355	26	12	24	26
300	323.9	460	410	28	12	24	26
350	355.6	520	470	30	16	24	26
400	406.4	580	525	32	16	27	30
450	457.0	640	585	36	20	27	30
500	508.0	715	650	36	20	30	33
550	559.0	775	710	44	20	30	33
600	610.0	840	770	44	20	33	36
650	660.0	860	790	48	24	33	36
700	711.0	910	840	48	24	33	36
750	762.0	970	900	50	24	33	36
800	813.0	1025	950	52	24	36	39
900	914.0	1125	1050	58	28	36	39
1000	1016.0	1255	1170	64	28	39	42
1100	1118.0	1355	1270	70	32	39	43
1200	1219.0	1485	1390	76	32	45	48
1400	1420.0	1685	1590	86	36	45	48
1600	1620.0	1930	1820	98	40	52	56
1800	1820.0	2130	2020	110	44	52	56
2000	2020.0	2345	2230	110	48	56	62

** Other sizes are also available upon request.

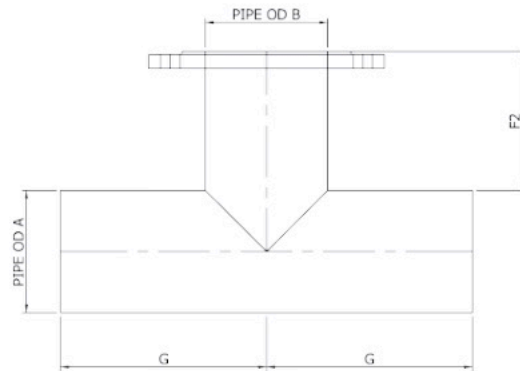
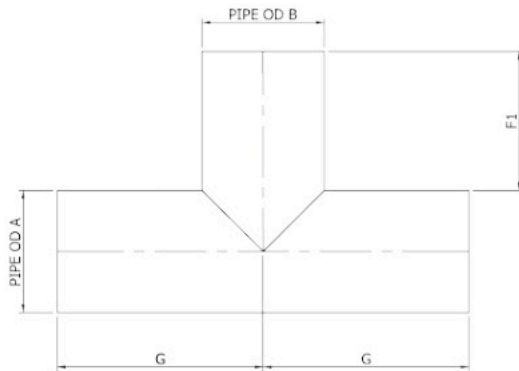
GUSSETED BEND



PIPE ND mm	PIPE OD mm	TYPE 1	TYPE 2				TYPE 3	
		NOT MORE THAN 30°	OVER 30° TO 45°		OVER 45° TO 60°		OVER 60° TO 90°	
		L2 mm	R1 mm	L3 mm	R1 mm	L3 mm	R2 mm	L4 mm
80	88.9	175	150	200	150	250	150	300
100	114.3	175	150	200	150	250	150	300
150	168.3	225	225	300	225	300	225	400
200	219.1	300	300	350	300	400	300	500
250	273.0	375	375	450	375	500	375	650
300	323.9	375	450	450	450	500	450	700
350	355.6	450	525	550	525	600	525	800
400	406.4	450	600	600	600	600	600	850
450	457.0	450	675	600	450	600	450	850
500	508.0	450	750	600	500	600	500	850
550	559.0	450	825	650	550	600	550	850
600	610.0	550	900	750	600	750	600	1000
650	660.0	550	975	750	650	750	600	1000
700	711.0	550	1050	800	700	750	700	1100
750	762.0	600	1125	850	750	850	750	1100
800	813.0	600	1200	850	800	850	800	1200
900	914.0	600	1350	900	900	900	900	1300
1000	1016.0	750	1500	1100	1000	1100	1000	1500
1200	1219.0	850	1800	1200	1200	1200	1200	1700
1400	1420.0	850	2100	1300	1400	1300	1400	1900
1600	1620.0	900	2400	1400	1600	1400	1600	2100
1800	1820.0	900	2700	1500	1800	1500	1700	2200
2000	2020.0	1000	3000	1600	2000	1600	2000	2500
2200	2220.0	1000	3300	1700	2200	1700	2200	2600

** Other sizes are also available upon request.

EQUAL TEE



PIPE ND mm	PIPE OD A mm	G mm	PIPE OD B mm	F1 mm	F2 mm
50	60.3	240	60.3	200	100
65	76.1	240	76.1	200	100
80	88.9	250	88.9	200	110
100	114.3	270	114.3	200	130
150	168.3	290	168.3	200	140
200	219.1	370	219.1	250	150
250	273.0	410	273.0	250	160
300	323.9	450	323.9	250	180
350	355.6	530	355.6	300	200
400	406.4	600	406.4	300	230
450	457.0		457.0	300	300
500	508.0		508.0	300	300
550	559.0		559.0	300	300
600	610.0		610.0	300	300
650	660.0		660.0	300	300
700	711.0		711.0	300	300
750	762.0		762.0	380	300
800	813.0		813.0	380	300
900	914.0		914.0	380	300
1000	1016.0		1016.0	380	380
1200	1219.0		1219.0	380	380
1400	1420.0		1420.0	380	380
1600	1620.0		1620.0	380	380
1800	1820.0		1820.0	380	380
2000	2020.0		2020.0	380	380
2200	2220.0		2220.0	380	380

1.5 TIMES ND OF
BRANCH 'B' BUT
WITH A MINIMUM
OF 0.5 TIMES ND
OF BARREL 'A'

** Other sizes are also available upon request.



SYNCHONG HOE ENGINEERING SDN. BHD.
SYNCHONG HOE PIPING SDN. BHD.

Lot 750, MK 19, Jalan Lunas, Mengkuang Titi, Kubang Semang,
14000 Bukit Mertajam, Seberang Perai, Penang, Malaysia.

☎ +604 521 5262

☎ +604 521 3037 / 3929

Email: sch.engineering@synchonghoe.com
sch.piping@synchonghoe.com

www.synchonghoe.com